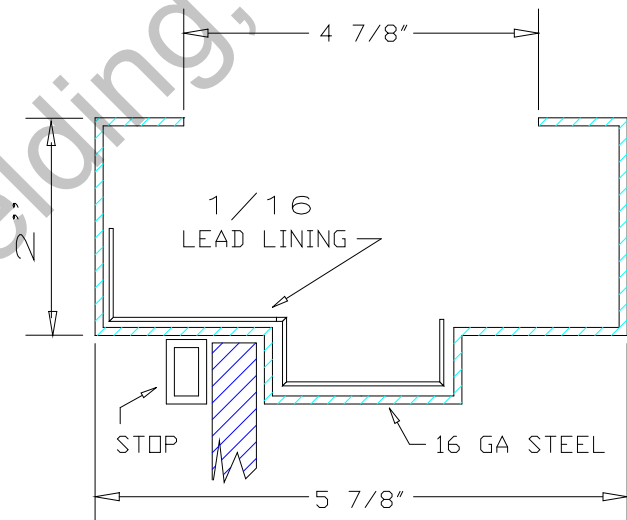


LEAD LINED  
HOLLOW METAL  
VIEW WINDOW FRAME



FRAME SECTION  
DETAIL

Lone Star X-Ray Shielding, Inc.

PROJECT:			
CONTRACTOR:		LONE STAR X-RAY SHIELDING P.O. BOX 2176 SPLENDORA, TX 77372	
DATE:		DWG NO. LEAD LINED HM VIEW WINDOW FRAME DETAILS	REV
SCALE N.T.S.	FILE NO. LSLET03	SHEET 1	